

# ELKAY® SPECIFICATIONS

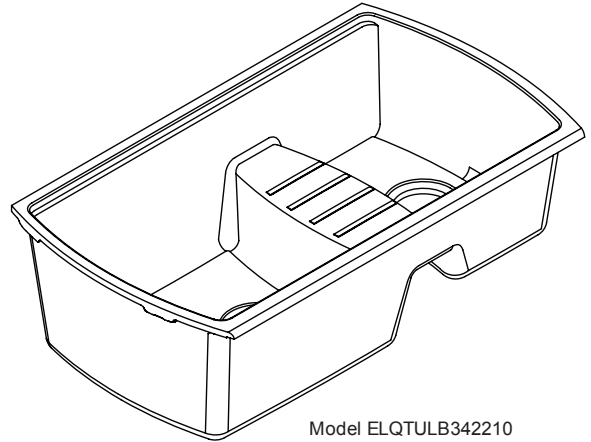
## Harmony Quartech™ Undermount Sink Models ELQTULB342210 Series

### GENERAL

Elkay Quartech sinks are molded from finely ground natural quartz and high performance acrylic resins into a finished product that exceeds customer expectations. The material offers antimicrobial product protection achieved through the use of silver dispersed throughout the matrix. Non-porous, easy to clean, and resistant to stains, the Quartech sinks are also durable and scratch resistant. The sinks are naturally sound deadened and heat resistant to 550° with the color consistent throughout the material. An extra wide Work Bench low divide feature separates the two sink compartments and offers an additional area for food preparation.

### DESIGN FEATURES

Bowl Depth: 10" (254mm) and 8" (203mm)  
Rim Height: 3/8" (10mm)  
Material: Elkay Quartech  
Work Bench: 4-3/4" (121mm) from top of rim  
Color Options with natural accents: Black (BK), Husk (HK), Java (JV) or White (WH)  
Reversible design, sink can be rotated so small bowl is on the left.



Model ELQTULB342210

### OTHER

Drain Opening: 3-1/2" (89mm)  
These sinks comply with ANSI Z124.6 and CSA B45-02.



These sinks are listed by the International Association of Plumbing and Mechanical Officials as meeting the requirements of the Uniform Plumbing Code.

### SINK DIMENSIONS\*

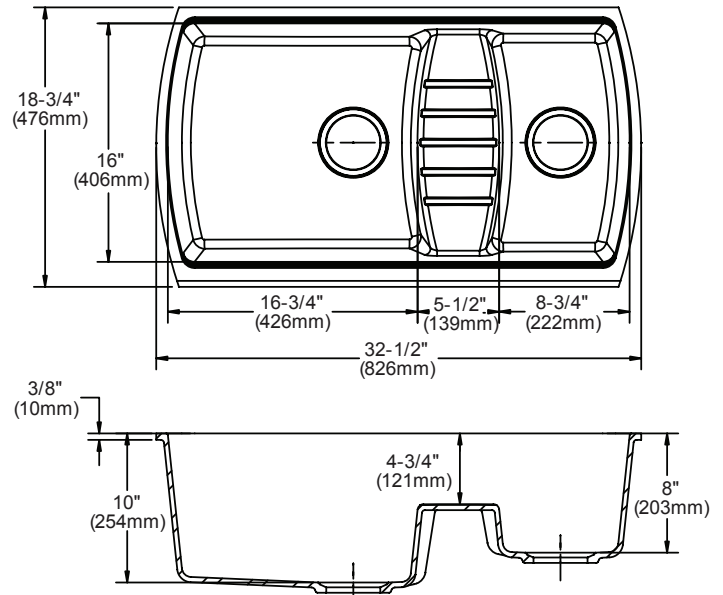
Model Number	Overall		Inside Large Bowl			Inside Small Bowl			Cutout in Countertop	Minimum Cabinet Size
	L	W	L	W	D	L	W	D		
ELQTULB432210	32-1/2" (826mm)	18-3/4" (476mm)	16-3/4" (425mm)	16" (406mm)	10" (254mm)	8-3/4" (222mm)	16" (406mm)	8" (204mm)	See Template**	36" (914mm)

\*Length is left to right. Width is front to back.

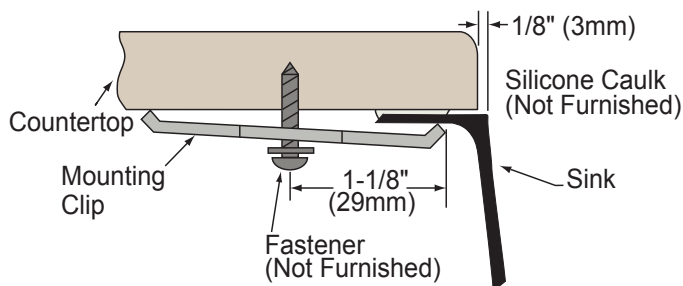
\*\*Template and countertop mounting clips are packed with every sink.

### OPTIONAL ACCESSORIES

Bottom Grids: LKVBG916SS (small), LKVOBG1716SS (large)  
Cutting Boards: LKCB1813HW  
Drain: LKD35, LKKDT35, LKS35  
Rinsing Baskets: LKWRB1414SS or LKWERBSS  
Utensil Caddy for Rinsing Basket: LKWUCSS  
Trivet for Work Bench: LKTV515BK



### Installation Profile 1/8" (3mm) Recessed



In keeping with our policy of continuing product improvement, Elkay reserves the right to change product specifications without notice. Please visit [elkayusa.com](http://elkayusa.com) for most current version of Elkay product specification sheets.

This specification describes an Elkay product with design, quality and functional benefits to the user. When making a comparison of other producers' offerings, be certain these features are not overlooked.

**Elkay**

[elkayusa.com](http://elkayusa.com)

2222 Camden Court  
Oak Brook, IL 60523

Printed in U.S.A.  
©2011 Elkay

(9/11) 1-338C